
LED Dot Matrix Display Series



The concepts of making LED Dot Matrix Display comes from video technology. Once the pixels are mounted on the surface with a programmable controller, they can create various patterns, words, logos, etc, even with different color changing modes. This is an ideal product for outdoor applications, because of its high visibility, flexibility, durability, low cost, low maintenance and energy saving advantages.

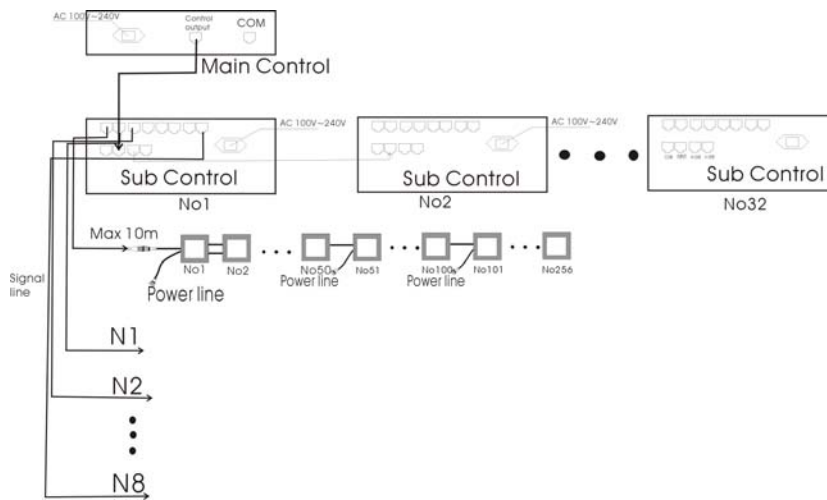
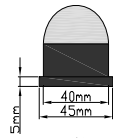
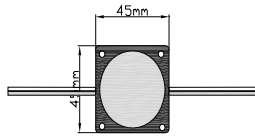
Part Number: RFF30-9RGB / RFF50-9RGB



Specification

Item No.	RFF30-9RGB	RFF50-9RGB
No. of LED:	R:3 G:3 B:3	R:3 G:3 B:3
Luminance	18LM	18LM
Power Consumption	0.72W	0.72W
Operating Voltage	DC12V	DC12V
Controlling	pixel controller	pixel controller
Changing Color	Full color	Full color
IP	IP65	IP65
Life Span	30,000 hours	30,000 hours
Temperature Range	-20°C ~ +60°C, 0~95%	-20°C ~ +60°C, 0~95%
Size	φ30*45(mm)	50*50*50(mm)

Mechanical Dimension



RIGHTLEDS 中正零度

Zhoushi Road, Shiyan Town, Shenzhen, China

P: 86 755 2765 6979 • F: 86 755 2765 6780 • www.rightleds.com • info@rightleds.com